

Han-Eco 24B Outd-HSM2-w. SL-M40-cov.-gl.

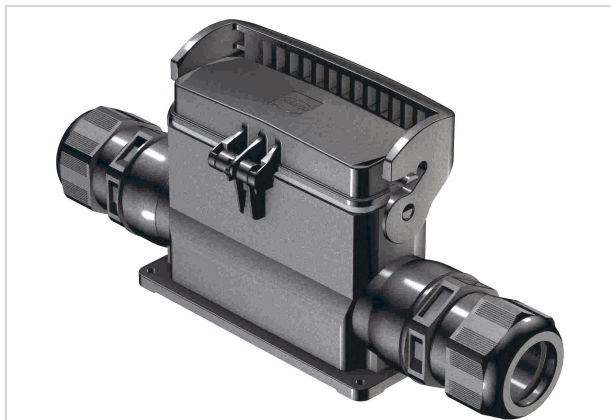


Image is for illustration purposes only. Please refer to product description.

| | |
|--------------------|---|
| Part number | 19 43 324 0298 |
| Specification | Han-Eco 24B Outd-HSM2-w. SL-M40-cov.-gl. |
| HARTING eCatalogue | https://b2b.harting.com/19433240298 |

Identification

| | |
|-----------------------------|--|
| Category | Hoods/Housings |
| Series of hoods/housings | Han-Eco® B |
| Type of hood/housing | Surface mounted housing |
| Description of hood/housing | With thermo-plastic cover With integrated cable gland |

Version

| | |
|--------------|----------------------|
| Size | 24 B |
| Version | Side entry |
| Cable entry | 2x M40 |
| Locking type | Single locking lever |

Technical characteristics

| | |
|--|--|
| Limiting temperature | -40 ... +125 °C |
| Note on the limiting temperature | For use as a connector according to IEC 61984. |
| Number of relockings | ≥500 |
| Degree of protection acc. to IEC 60529 | IP66 |
| Clamping range | 16 ... 28 mm |

Material properties

| | |
|-------------------------|--|
| Material (hood/housing) | Polyamide (PA) Fibre-glass reinforced |
| Colour (hood/housing) | RAL 9005 (jet black) |
| Material (seal) | FPM |



Pushing Performance
Since 1945

Material properties

| | |
|--|--|
| Colour (seal) | RAL 7001 (silver-grey) |
| Material (locking) | Polyamide (PA) Fibre-glass reinforced |
| Colour (locking) | RAL 9005 (jet black) |
| Material flammability class acc. to UL 94 | V-0 |
| Material flammability class acc. to UL 94 (locking levers) | V-0 |
| RoHS | compliant with exemption |
| RoHS exemptions | 6(c): Copper alloy containing up to 4 % lead by weight |
| ELV status | compliant with exemption |
| China RoHS | 50 |
| REACH Annex XVII substances | Not contained |
| REACH ANNEX XIV substances | Not contained |
| REACH SVHC substances | Yes |
| REACH SVHC substances | Lead |
| California Proposition 65 substances | Yes |
| California Proposition 65 substances | Lead |
| Fire protection on railway vehicles | EN 45545-2 (2020-08) |
| Requirement set with Hazard Levels | R22 (HL 1-3) R23 (HL 1-3) |

Specifications and approvals

| | |
|----------------|---|
| Specifications | IEC 61984 EN 45545-2 Fire protection on railway vehicles |
| CE | Yes |

Commercial data

| | |
|--------------------------------|--|
| Packaging size | 1 |
| Net weight | 480 g |
| Country of origin | Germany |
| European customs tariff number | 85389099 |
| GTIN | 5713140181373 |
| eCl@ss | 27440202 Shell for industrial connectors |